

4

3

2

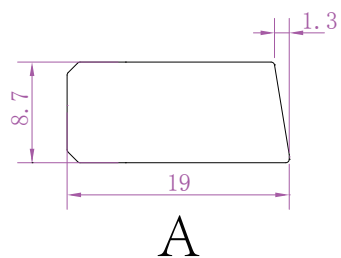
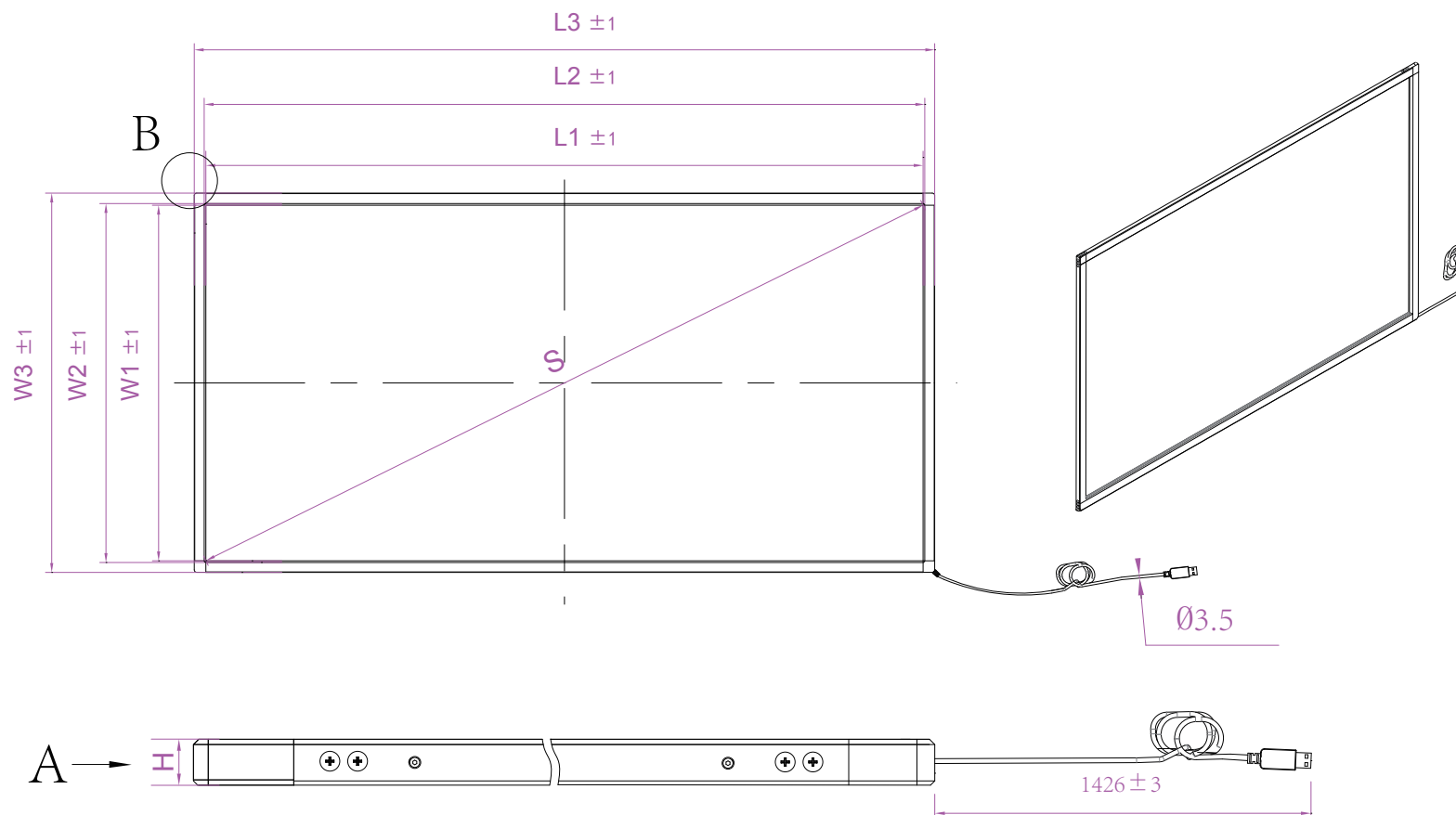
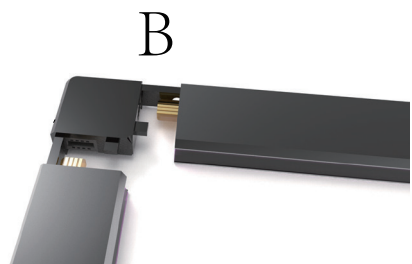
1

A

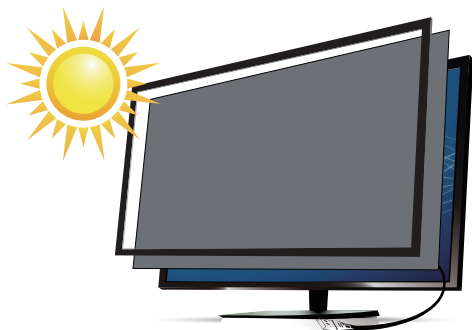
B

C

D



S(Inch/mm)	48inch
W1	596.4 ± 1
W2	599 ± 1
W3	634.4 ± 1
L1	1056.6 ± 1
L2	1059.2 ± 1
L3	1094.6 ± 1
H	8.7 ± 0.2



Anti-Sunlight, No Blind Zone For Any Size



X Slim Series							
Material:	aluminum	Unit:	mm	Date:		Rev:	1.0
Draft by:				Approved by:			

4

3

2

1